



NEXT LEVEL
MODERNISATION



ThysssenKrupp Company
Anystreet 1 · 00000 Anycity
Phone (0000) 000-00000 · Fax (0000) 000-00000
www.anyaddress.com · anyname@anyadress.com

Printed in Germany-0005
The details contained in this brochure can only be viewed as binding
when confirmed expressly in writing. Reproduction, reprint and storage
only with authorisation of the editor.

ThysssenKrupp **Company**  **ThysssenKrupp**



WELCOME TO THE
NEXT LEVEL

In Next Level we promise you perfect solutions, customised to your requirements, and with an ambitious aim: that of aspiring to higher things, be it in terms of cost efficiency, performance, reliability, sustainability or design.

No matter whether you are looking for the best elevator system for a new property, upgrading an existing installation – regardless of manufacturer or model – to future requirements or whether you simply want to be able to rely on your service partner whenever and wherever – our solutions exceed by far the standards in the industry. Why not take us up on our promise and move up to the Next Level with us?

Expertise and vision: the building blocks of our systems.

OUR STANDARDS

YOU'RE ALWAYS IN SAFE HANDS WITH THYSSENKRUPP ELEVATOR. AND SO IS YOUR BUDGET.

Besides top quality and functionality, solutions by ThyssenKrupp Elevator are distinguished for their particular cost-effectiveness and integrated sense of responsibility. We develop sustainable, eco-friendly concepts that prove themselves through maximum energy efficiency and future-proof components. In this way you reap the benefits not only today, but even ten years from now – in every way possible.

WE DON'T JUST DESIGN CONCEPTS WITH YOU IN MIND; WE DESIGN THEM SPECIFICALLY FOR YOU.

Every building has its own style and characteristic features. This calls for concepts specially tailored to suit each and every property. This is why you will never receive an off-the-peg installation from ThyssenKrupp Elevator, but one that is perfectly matched to your requirements. All of our solutions can be precisely adapted to your requirements.

THYSSENKRUPP SOLUTIONS ARE MADE FOR THE FUTURE. AND FOR THE ENVIRONMENT.

In light of climate change and resource shortages, our goal is to be as "green" as possible – in production as well as with our products. Innovative technologies help save energy and keep the CO₂ emissions of our elevators and escalators as low as possible, without reducing comfort or performance. We are thus making a valuable contribution to increased energy efficiency and a future worth living.



For us, modernisation means one thing: meeting YOUR individual requirements.



MODERNISATION OF THE ENTIRE ELEVATOR SYSTEM
e.g. Charité, Berlin

INTEGRATION WITH REGARD TO THE GOING CONCERN
e.g. Royal Opera House, London

SEAMLESS INTEGRATION
e.g. Judenburg City Tower, Vienna

MORE COMFORT AND QUALITY OF LIFE
Handicapped-accessible elevator systems for residential buildings worldwide

INDIVIDUAL SOLUTIONS FOR PARTICULAR CHALLENGES
e.g. 338 Euston Road, London

PERFECT INTEGRATION
Design options conducive with older and newer buildings

ABSOLUTE TRANSPORT SAFETY
e.g. Rhine Tower, Düsseldorf

INCREASED RIDE COMFORT
e.g. BMW 'Four Cylinder' Tower, Munich

INCREASED ECONOMY
e.g. Antoine et Cléopâtre, Paris

STATE-OF-THE-ART TECHNOLOGY
e.g. Tour des Archives, Rouen

SATISFYING LEGAL REQUIREMENTS
e.g. Tour de Mars, Paris

AUTHENTIC DESIGN
e.g. Four Seasons, Budapest

ENERGY OPTIMIZATION
e.g. Tour Espace 2000, Paris

EXCEPTIONAL SKYLIGHT
e.g. Tversakaya Plaza, Moscow

Join us on the Next Level in terms of economy, design, comfort and safety.

MODERNISATION WITH THYSSENKRUPP ELEVATOR.

Even elevator installations show signs of age. As a building owner or operator, one day you will be faced with the challenge of modernisation – be it due to statutory requirements for increasing handling capacity or comfort, saving energy costs or coordinating the design when a building is modernised.

The fulfillment of legal requirements (**Safety Norm for Existing Lifts**) poses a challenge to operators as well. We support you here with competent consultation and a keen focus on safety optimisation, in order to meet your liability situation as comprehensively as possible.

No matter the reason: In ThyssenKrupp Elevator you have a partner you can count on to deliver straightforward and effective solutions – and often a lot more besides. As a turnkey or step-by-step solution, the choice is yours.

01 CONTROLLERS
Smart, future-focused high-performance controllers that ensure optimum travel.
Page 08

02 COMMUNICATION
Reliable communication and monitoring tools that guarantee the highest possible degree of safety and effectiveness for your system.
Page 09

03 DRIVES
Drive solutions that will impress you with their outstanding value for money and long service life.
Page 10 – 11

04 ELEVATOR CABINS
Features that perfectly combine function, design and bespoke ideas.
Page 12

05 LIGHTING DESIGN
Energy-efficient lighting systems that prove themselves through long lifetime and individual design options.
Page 13

06 DOORS
Reliable door systems that guarantee maximum safety and optimum availability.
Page 14 – 15

07 OPERATING ELEMENTS
Innovative operating and display elements that set a new benchmark user friendliness.
Page 16 – 17

Seven examples of peak precision. And one of perfect co-ordination.

OVERVIEW OF COMPONENTS

01 CONTROLLERS

03 DRIVES

02 COMMUNICATION

06 DOORS

05 LIGHTING DESIGN

04 ELEVATOR CABINS

07 OPERATING ELEMENTS



01

Efficient, responsive and adaptive.
Your elevator's brainbox.

CONTROLLERS

- RELIABLE, ENDURING QUALITY MINIMISES MAINTENANCE COSTS
- REGULAR TESTING WITH NO BREAKS IN AVAILABILITY
- SELF-TESTS PERMIT PREVENTIVE MAINTENANCE TO AVOID DOWNTIMES*
- GENTLE ACCELERATION AND DECELERATION ENSURE A COMFORTABLE RIDE, MINIMISE DAMAGE AND MAXIMISE ENERGY EFFICIENCY
- REDUCED WAITING TIMES THANKS TO SMART CONTROLS THAT LEARN ELEVATOR USAGE HABITS AND AVOID UNNECESSARY STOPS

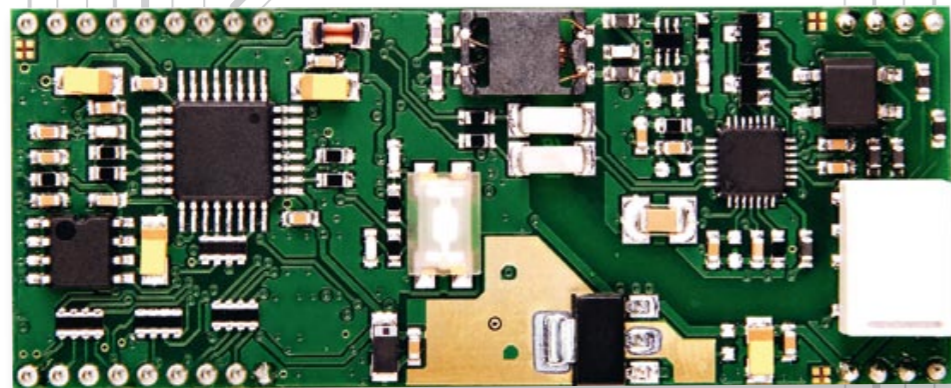
AN INVESTMENT IN SAFETY, COMFORT AND COST CONTROL.

High performance control systems made by ThyssenKrupp Elevator feature advanced bus technology ensuring optimum data flow between all components, thus permitting focused efficiency and direct response. This adds up to: shorter waits and maximum handling capacity.

Frequency-controlled interaction with the drive ensures reliable, safe travel with comfortable accelerating and decelerating phases, low maintenance and reduced energy consumption.

Our Destination Selection Control (DSC) provides an innovative touchscreen controller for elevator groups, increasing handling capacity by up to 30%. This is because the destination selection is transferred to the first available elevator before entering the car, thus saving time.

*using TeleW@tch with certain controller.



02

No matter where your elevator is located: We are on hand to assist you.

COMMUNICATION

- CONTINUOUS MONITORING AND CONTROL OF YOUR ELEVATOR INSTALLATION
- PEAK RESPONSE TIMES AND JOB ASSIGNMENT TO SERVICE ENGINEERS BY SERVICE CENTRE
- LOWER MAINTENANCE COSTS WITH REMOTE DIAGNOSIS AND MAINTENANCE
- UTILISATION ANALYSIS AND OPTIMISATION BASED ON ELEVATOR DATA EVALUATION

YOU MAY NOT SEE US, BUT WE'RE THERE TO HELP YOU:
THYSSENKRUPP TELESERVICE®.

The control system monitors your elevator around the clock. Causes of malfunctions are swiftly detected by remote diagnosis, and minor faults are automatically cleared. The emergency call system is linked to the control station which can pinpoint your elevator in the event of a malfunction and take control. And if you should need on-site assistance, targeted organisation of our service engineers by the service centre ensures that qualified assistance is just a call away.

THYSSENKRUPP MONITORING KEEPS YOU IN THE PICTURE AND MUCH MORE BESIDES.

The ThyssenKrupp Monitoring analysis and control tool is used to control and monitor elevator functions – up to 50 elevator installations can be monitored as standard. Your elevators are therefore always under control and can be adapted to specific requirements. Recording and evaluation of traffic handling is also possible.

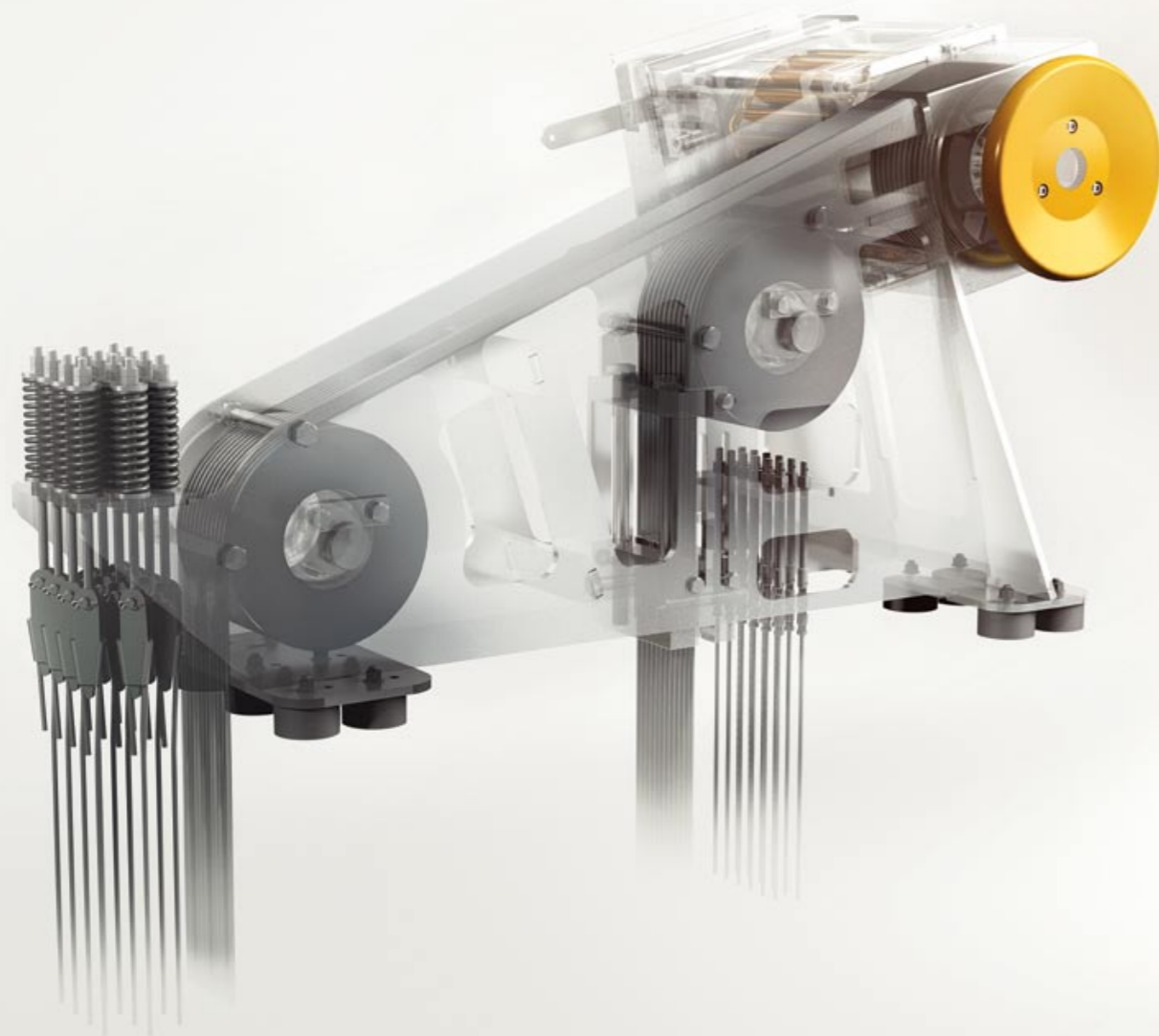




DRIVES

If silence is golden... Our drives are nothing short of a treasure trove.

- ENDURING QUALITY AND MAXIMUM AVAILABILITY
- LOW MAINTENANCE AND RUNNING COSTS
- COMPACT SIZE AND VARIOUS VERSIONS SUIT ALL REQUIREMENTS
- GENTLE ACCELERATING AND DECELERATING ENSURE A COMFORTABLE RIDE
- INNOVATIVE SAFETY BRAKES TO EN 81 DISPENSE WITH THE NEED FOR ANY OTHER COSTLY MEASURES
- ENVIRONMENTALLY-FRIENDLY SOLUTIONS WITH LOW ENERGY CONSUMPTION
- ULTRA-SMOOTH RUNNING



DRIVES WITH STATE-OF-THE-ART TECHNOLOGY AND SAFETY.

With drives for loading capacities of 240 kg to 10 t, speeds of 0.4 up to 12m/s, in 1:1 or 2:1 suspension, synchronous or asynchronous mode, we provide perfect solutions for all requirements. Our innovative systems feature a consistently high standard of material and system quality and are characterised by ultra-smooth running and outstanding efficiency. This improves ride comfort and guarantees availability. Integration in your existing installation runs just as smoothly as the drive itself.

04

Durability and style.
In all imaginable variations.

ELEVATOR CABINS

- DIFFERENT CABIN SIZES AND BESPOKE DESIGN OPTIONS
- HIGH QUALITY DESIGN PROVIDES INCREASED DETERRENT TO VANDALISM
- EXTRA DURABILITY FOR HIGH VOLUME USAGE
- LOW NOISE LEVEL AND REASSURING FEELING OF SAFETY FOR EVERY RIDE
- STYLISH DESIGNS THAT PROJECT THE RIGHT IMAGE FOR YOUR BUILDING
- IMPROVED USABILITY FOR PEOPLE WITH SPECIAL NEEDS



FUNCTIONALITY MEETS DESIGN – FROM STANDARD TO CUSTOMISED AND EVERYTHING BETWEEN.

A central feature, your elevator installation contributes significantly to the overall appearance of your building. All the more important, then, that you don't compromise when it comes to style. With bespoke, exclusive car designs we create unique opportunities for turning your ideas into reality. Practically all components can be freely combined with a variety of materials and designs.



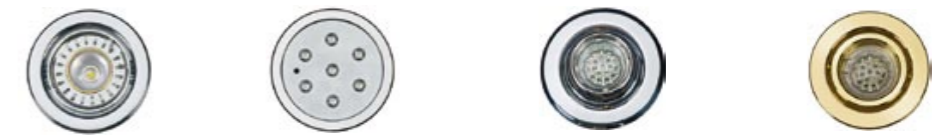
The visibly perfect workmanship and pleasant cabin environment ensure that passengers enjoy riding in our elevators. Despite their lightness and elegance, our elevator cars are extremely resilient and robust. All components are characterised by outstanding ruggedness and durability. Even under constant use, your elevator can continue to create a positive impression on users, not only today and tomorrow, but for many years to come.

05

Modern lighting design.
A true highlight with more to it
then meets the eye.

LIGHTING DESIGN

- INDIVIDUAL DESIGN OPTIONS IN LIGHTING AND COLOUR STYLING
- ENERGY AND COST-SAVING LED SOLUTIONS WITH HIGH LUMINOSITY
- VIBRATION-RESISTANT AND ENDURING
- DESIGNED TO WITHSTAND FREQUENT SWITCHING ON AND OFF
- INSTANT SWITCHING
- LOW CURRENT CONSUMPTION WHEN SWITCHING ON



ENERGY-SAVING LUMINOSITY.

Add some accents. With the wide variety of options supplied by ThyssenKrupp Elevator you can create practically every light and color mood and still save money at the same time. LED systems, for instance, impress with their longevity. Vibrations have as little effect on them as frequent switching on and off – and that pays off! Of course, you don't just benefit from our lighting concepts in the long term. The moment you switch on the lights you achieve low current consumption, virtually loss-free conversion of energy into light, and practically 100% luminosity.



Our door systems open doors. Softly, safely and reliably.

DOORS

- EXTENSIVE SAFETY FEATURES TO PROTECT YOUR PASSENGERS
- SHORTENED DOOR ACTION TIMES FOR MINIMUM WAITS AND SWIFTER RIDES
- LOW MAINTENANCE COSTS THANKS TO HIGH QUALITY DOOR DRIVES DEVELOPED IN-HOUSE
- QUIET OPERATION THANKS TO OUTSTANDING RUNNING QUALITIES
- HASSLE-FREE CAR ENTRY AND EXIT FOR PEOPLE OF ALL AGES
- SUITABLE FOR PEOPLE WITH SPECIAL NEEDS TO EN 81-70
- HIGH QUALITY MATERIALS AND BESPOKE DESIGN OPTIONS
- COMPLETE FLEXIBILITY OF PLANNING AND ASSEMBLY



OUR DOORS CAN DO MORE THEN JUST OPEN AND CLOSE.

Doors are said to account for 80% of elevator malfunctions. Modernisation in this area can therefore dramatically improve the safety, availability and efficiency of your installation. Our door systems operate with modern drive technology guaranteeing permanent protection of the door mechanism and excellent running characteristics. Safety mechanisms like light curtains, infra-red motion sensors and closing force limit switches with door re-opening guarantee maximum safety and extra comfort.

Incidentally, comfort starts the minute you begin to plan your new cabin doors. For we offer you unprecedented design freedom in the choice of materials.





07

Innovative operating elements.
Taking you further than just the
next floor.

OPERATING ELEMENTS

- OUTSTANDING USER GUIDANCE AND EASE OF OPERATION
- INTERACTION AND COMMUNICATION FOR INCREASED USER COMFORT
- ELEVATOR OPERATION DESIGNED FOR USERS AND PEOPLE WITH SPECIAL NEEDS EN 81-70
- STURDY, ERGONOMIC OPERATING ELEMENTS IN A TIMELESS EXCLUSIVE LOOK
- TERMINALS FOR DSC DESTINATION SELECTION CONTROL (DSC) FOR UP TO 30% HIGHER HANDLING CAPACITY



OUR OPERATING PANELS: INNOVATIVE SYSTEMS THAT ALSO EMBRACE HIGH QUALITY DESIGN.

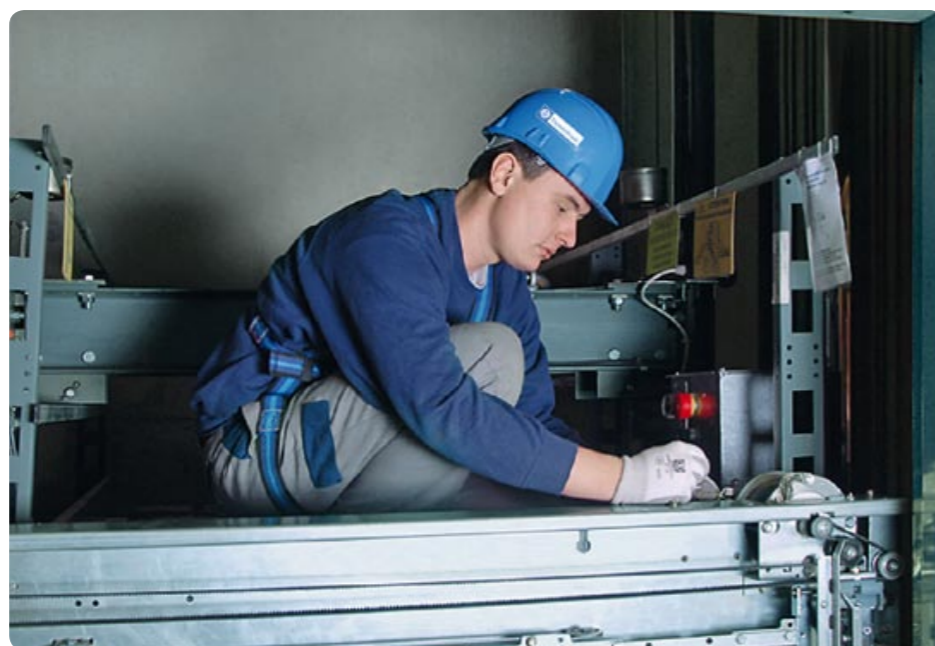
Modernising operating elements not only optimises an installation's general user friendliness, it also adds a whole new dimension in additional functions. Aside from the classic operating panel in a clear, timeless design, our comprehensive packages are geared towards user-friendliness and provide the feel-good factor for people with special needs to EN 81-70 and EN 81-71. Not to mention informative display and interactive touchscreen solutions. That these represent much more than mere gadgetry is demonstrated by the innovative Destination Selection Control (DSC) system that can increase travelling capacity by up to 30%.

An integral part of all our modernisation efforts: a really good feeling.

SAFETY

WITH US, YOU'RE ON THE SAFE SIDE. AND THAT GOES FOR REGULATIONS, TOO.

More than 50% of all elevator installations in Europe are older than 20 years and no longer comply with current state-of-the-art technology as defined in the European Elevator Directive and the standards related to it. By opting for ThyssenKrupp Elevator, you gain a partner whom you can rely upon when it comes to ensuring that your elevator installation operates in compliance with regulations, thus minimising your liability risk in an increasingly litigious world.



CONTINUOUSLY CHECKED SAFETY. DOWN TO THE SMALLEST COMPONENT.

Prior to initial operation all safety relevant components modernised by us are certified by an independent testing authority. In addition, our continuous quality assurance and internal controls ensure that every component leaving the production line is perfectly finished and in perfect working order. During assembly, our highly-qualified and regularly-trained fitters observe work safety precautions to ensure that there is no risk to the persons involved while working.

EVERYTHING IN GOOD ORDER: MEANINGFUL DOCUMENTATION.

Operating elevators made simple: we naturally provide you with all the relevant certificates and documents for approval by the technical inspection authority and subsequent handling of your elevator installation.

